

Mono-crystalline Solar Module (54Cells)

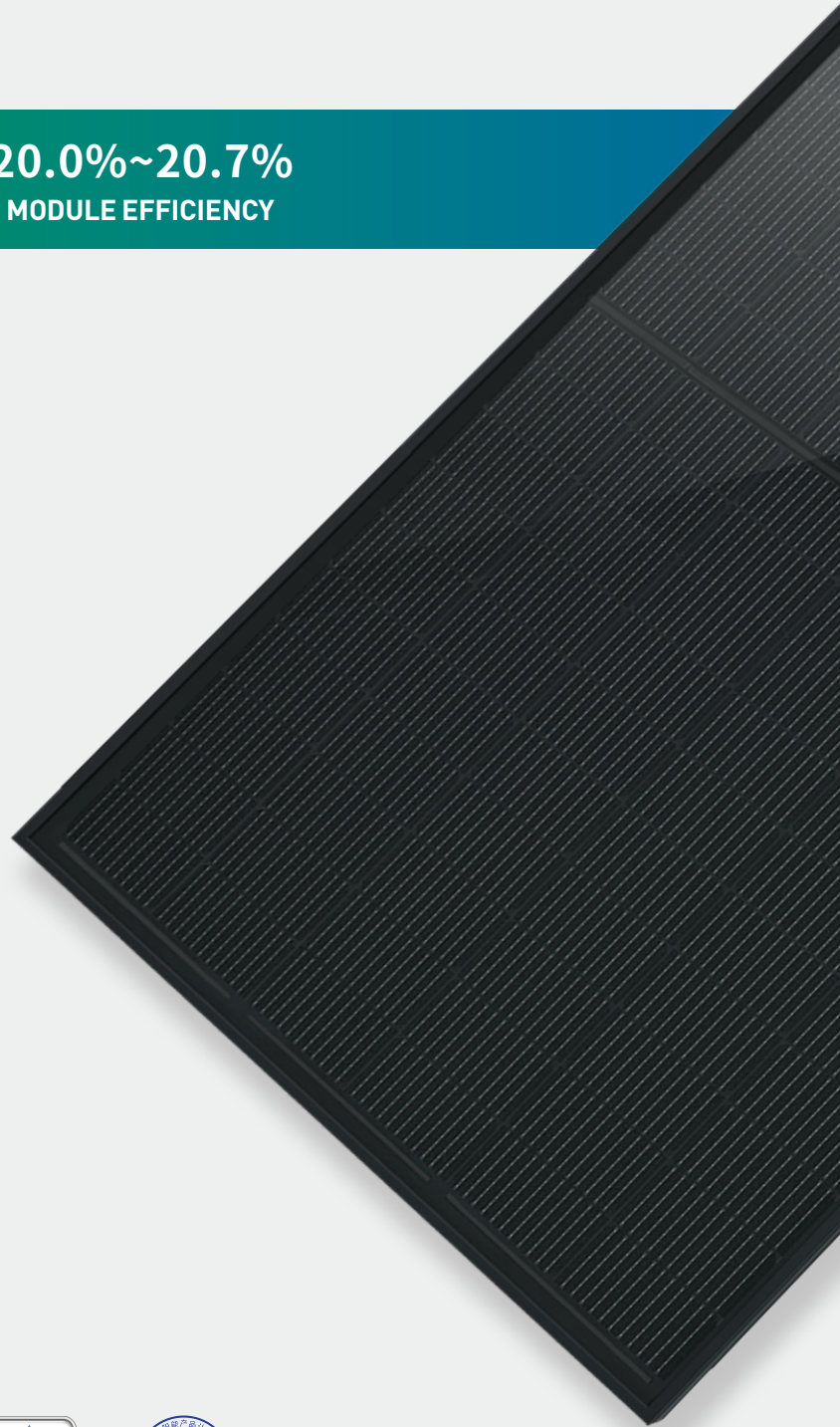
CEC6-54MH

390~405W
POWER OUTPUT RANGE

20.0%~20.7%
MODULE EFFICIENCY

PRODUCT CHARACTERISTICS

- ◆ Light weight, easy to install, high cost performance, high efficiency
- ◆ Module certified to withstand extreme wind (2400 Pascal) and snow loads (5400 Pascal)
- ◆ Guaranteed output: 0~+5W
- ◆ Excellent performance in weak light condition, such as cloudy, morning and sunset
- ◆ Independently certification by international certification authorities, include IEC61215,IEC61730,CE



LINEAR WARRANTY AND CERTIFICATION



1st year Power output not less than 98%



Warranty for product materials and processes within 12 years



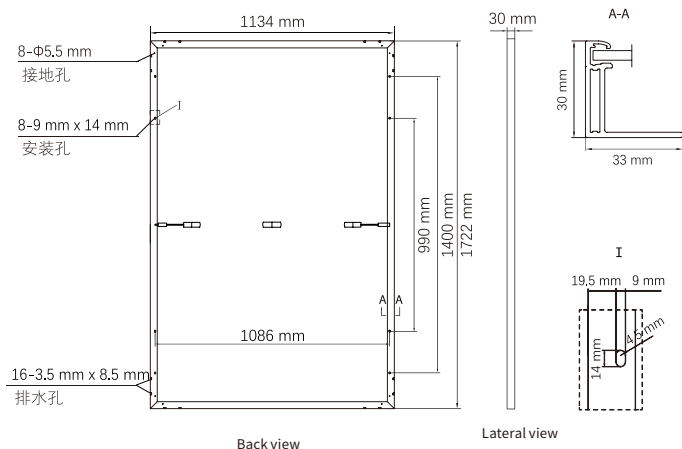
Power output not less than 91.95% within 12 years



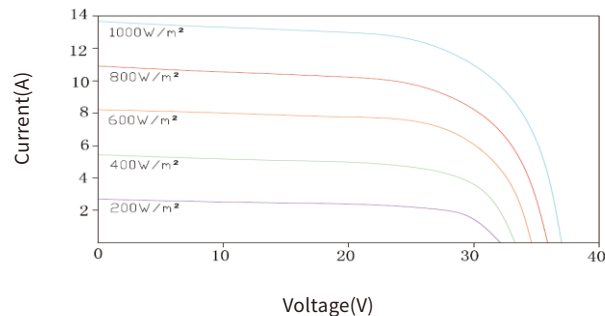
Power output not less than 84.8% within 25 years

QUALITY OF CENTRAL ENTERPRISE SERVICE GUARANTEE

Assembly Drawing



I-V Curve (400W)



Limit Parameters

Operating temperature	-40°C to +85°C
Maximum fuse current rating	25A

Physical Parameter

Dimension	1722*1134*30mm
Mounting hole size	1089*990mm
Cable Length	300mm; Customizable
Weight	21.5Kg

Mechanical Characteristics

Cell type	182×91mm monocrystalline silicon solar cells, a group of 108 cells (6×18)
Glass	3.2 mm thick low-iron tempered glass with high light transmittance
Junction Box	IP Grade: IP68

Temperature Rating

Nominal Module Operating Temperature (NMOT)	42°C ± 2°C
Maximum Power (Pmax) Temperature Coefficient (δ (%/°C))	-0.34
Open-circuit voltage (Voc) Temperature coefficient (β (%/°C))	-0.26
Short circuit current (Isc) Temperature coefficient (α (%/°C))	0.05

Mode of Packing

40 Feet Container	Pieces per case	36 pcs/case
	Quantity per pallet	2 case/pallet
	Pieces per container	936 pcs/40GP

Parameters of Module

Electrical parameters (Standard test condition)	CEC6-54-390MH	CEC6-54-395MH	CEC6-54-400MH	CEC6-54-405MH
Maximum power-Pmax(Wp)	390	395	400	405
Maximum operating voltage-Vmp(V)	30.76	30.92	31.09	31.26
Maximum operating current-Imp(A)	12.68	12.77	12.86	12.96
Open-circuit voltage -Voc(V)	36.60	36.80	37.00	37.20
Short-circuit current-Isc(A)	13.40	13.52	13.65	13.76
Maximum system voltage-Vdc(V)	1000	1000	1000	1000
Module efficiency(%)	20.0%	20.2%	20.5%	20.7%
Power tolerance(W)	0/+5W	0/+5W	0/+5W	0/+5W

Measured values under STC (temperature 25°C, air quality AM1.5, irradiance 1000W/m²)

Test under NMOT conditions				
Max Power(Wp)	291.5	295.2	298.9	302.7
Max-Power Voltage Vmp(V)	28.66	28.82	28.98	29.13
Max-Power Current Imp(A)	10.17	10.24	10.32	10.39
Open-Circuit Voltage Voc(V)	34.59	34.78	34.97	35.15
Short-Circuit Current Isc(A)	10.87	10.97	11.07	11.17



让发电更加绿色 / Make Power Generation More Green

江苏省镇江市新区北山路9号/No.9, Beishan Road, New District, Zhenjiang, Jiangsu

网址/Web: www.cecpsolar.com

