

Poly-crystalline Modules (72Cells)

CEC6-72PH

405~425W

18.63%~19.55%

PRODUCT CHARACTERISTICS

- ◆ Light weight, easy to install, high cost performance, high efficiency
- ◆ Module certified to withstand extreme wind (2400 Pascal) and snow loads (5400 Pascal)
- ◆ Guaranteed output: 0~+5W
- ◆ Excellent performance in weak light condition, such as cloudy, morning and sunset
- ◆ Independently certification by international certification authorities, include IEC61215, IEC61730, CE



LINEAR WARRANTY AND CERTIFICATION



1st year Power output not less than 98%



Warranty for product materials and processes within 12 years



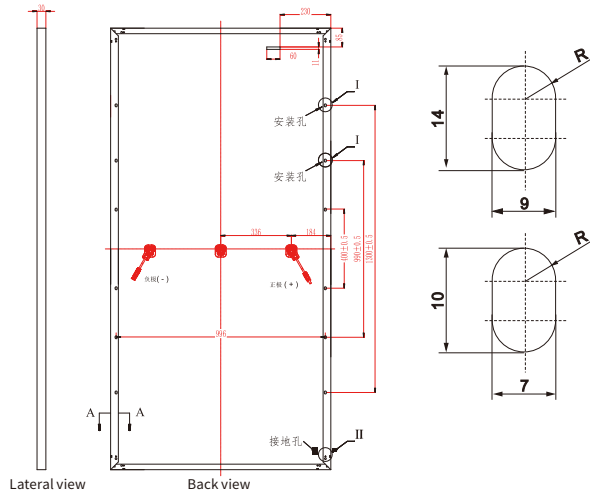
Power output not less than 89.8% within 12 years



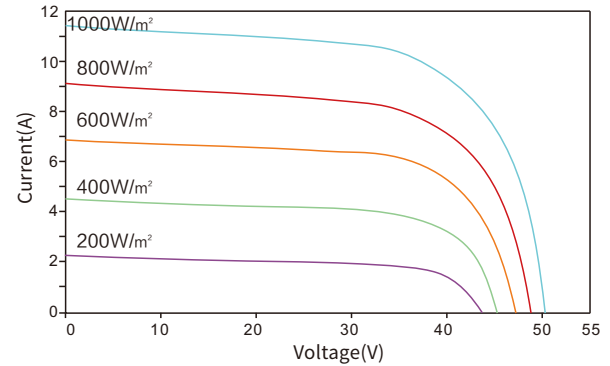
Power output not less than 80.7% within 25 years

QUALITY OF CENTRAL ENTERPRISE SERVICE GUARANTEE

Assembly Drawing



I-V Curve (425W)



Limit Parameters

Operating temperature	-40°C to +85°C
Maximum fuse current rating	20A

Physical Parameter

Dimension	2094*1038*30mm
Mounting hole size	400*996,990*996,1300*996mm
Cable Length	+250mm,-150mm; Customizable
Weight	24Kg

Mechanical Characteristics

Cell type	166×83mm poly-crystalline silicon solar cells, a group of 144 cells (6×24)
Glass	3.2 mm thick low-iron tempered glass with high light transmittance
Junction Box	IP Grade: IP68

Temperature Rating

Nominal Module Operating Temperature (NMOT)	42°C±2°C
Maximum Power (Pmax) Temperature Coefficient (δ (%/°C))	-0.36
Open-circuit voltage (Voc) Temperature coefficient (β (%/°C))	-0.28
Short circuit current (Isc) Temperature coefficient (α (%/°C))	0.05

Mode of Packing

40 Feet Container	Pieces per case	36 pcs/case
	Quantity per pallet	2 case/pallet
	Pieces per container	792pcs

电气参数 (标准测试条件)	CEC6-72-405PH/ CEC6-72-405PHV	CEC6-72-410PH/ CEC6-72-410PHV	CEC6-72-415PH/ CEC6-72-415PHV	CEC6-72-420PH/ CEC6-72-420PHV	CEC6-72-425PH/ CEC6-72-425PHV
最大功率-Pmax (Wp)	405	410	415	420	425
最大工作电压-Vmp (V)	38.91	39.13	39.34	39.55	39.76
最大工作电流-Imp (A)	10.41	10.48	10.55	10.62	10.69
开路电压-Voc (V)	47.39	47.59	47.79	47.99	48.19
短路电流-Isc (A)	10.97	11.05	11.13	11.21	11.29
最大系统电压-Vdc (V)	1000/1500	1000/1500	1000/1500	1000/1500	1000/1500
组件效率 (%)	18.63%	18.86%	19.09%	19.32%	19.55%
功率公差 (W)	0/+5W	0/+5W	0/+5W	0/+5W	0/+5W

标准测试条件 (温度25°C, 大气质量AM1.5, 辐照度1000W/m²) 下的测量值电器参数(标准测试条件)



让发电更加绿色 / Make Power Generation More Green

江苏省镇江市新区北山路9号/No.9, Beishan Road, New District, Zhenjiang, Jiangsu

网址/Web: www.cecepsolar.com

